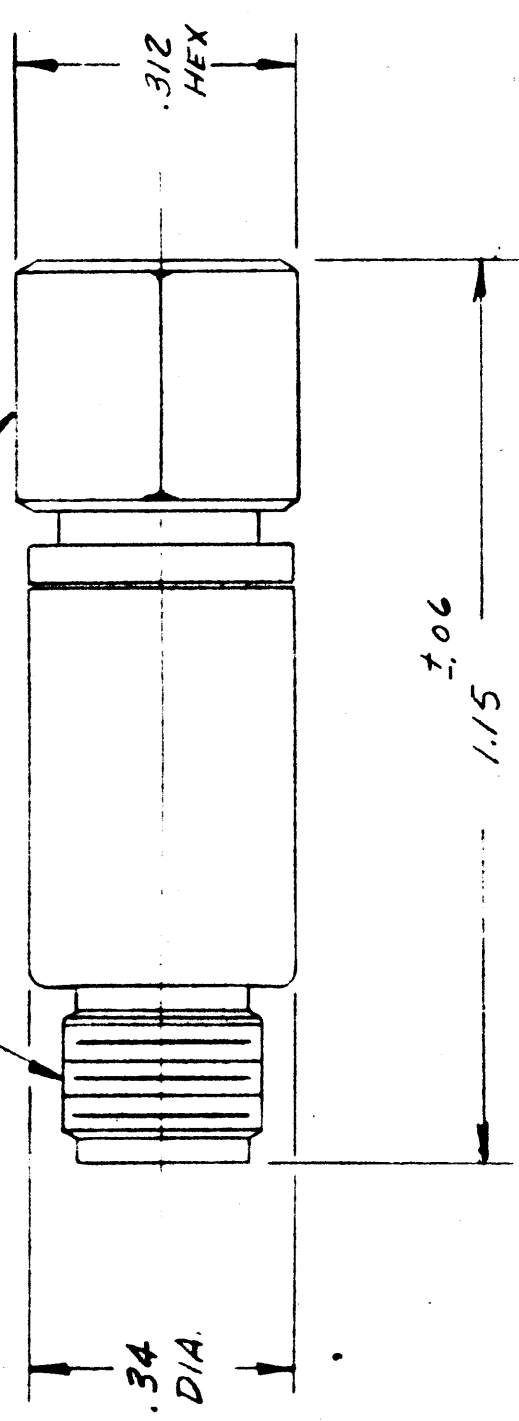


REVISION		DATE	APPROVED
LTR	DESCRIPTION		

MATES WITH 'SMA' MALE CONNECTOR

MATES WITH 'SMA' FEMALE CONNECTOR



ELECTRICAL SPECIFICATIONS  
 FREQUENCY 1.0GHZ  
 ATTENUATION 3.0±0.2dB  
 VSWR 1.15:1 MAX.

NOTICE: THESE DRAWINGS AND SPECIFICATIONS ARE THE PROPERTY OF MICROLAB/FXR AND SHALL NOT BE REPRODUCED, OR COPIED, OR USED AS THE BASIS FOR THE MANUFACTURE OR SALE OF APPARATUS WITHOUT PERMISSION.		UNLESS OTHERWISE SPECIFIED DIMENSIONS ARE IN INCHES. TOLERANCES ARE: ON DECIMALS .XX ± .01 .XXX ± .005 FRACTIONS ± 1/64 ANGLES ± .° SURFACE FINISH <input checked="" type="checkbox"/> APPLIED MSP NO.	
FINISH:		MATERIAL:	
NEXT ASSY		USED ON	
APPLICATION			
DRAWN <u>EAS</u>	CHECKED	E. E. APPV. <u>[Signature]</u>	M. E. APPV. <u>[Signature]</u>
Q. A. APPV. <u>[Signature]</u>	DATE <u>6-29-71</u>	REF.	SCALE <u>4:1</u>
MICROLAB/FXR LIVINGSTON, N. J.		SIZE <u>B</u>	CODE IDENT. NO. <u>00929</u>
ATTENUATOR		AG-A96	SHEET <u>1 OF 1</u>