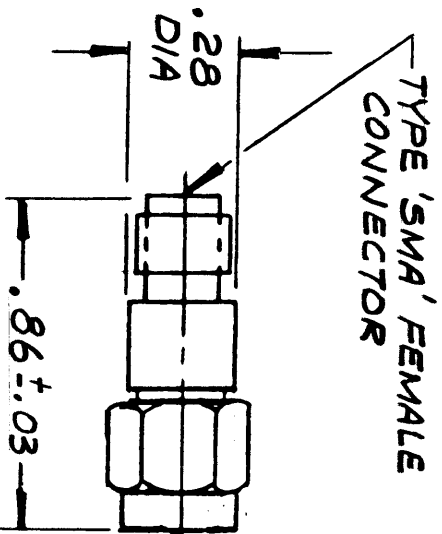
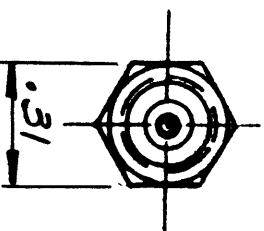


| APPLICATION | | REVISION | | | |
|-------------|---------|----------|-------------|------|----------|
| NEXT ASSY | USED ON | LTR | DESCRIPTION | DATE | APPROVED |
| | AH-H56 | | | | |
| | | | | | |
| | | | | | |



TYPE 'SMA' FEMALE CONNECTOR



TYPE 'SMA' MALE CONNECTOR

ACROSS FLATS

NOTICE: THESE DRAWINGS AND SPECIFICATIONS ARE THE PROPERTY OF MICROLAB AND SHALL NOT BE REPRODUCED, OR COPIED, OR USED AS THE BASIS FOR THE MANUFACTURE OR SALE OF APPARATUS WITHOUT PERMISSION.

ELECTRICAL SPECIFICATIONS

FREQ. RANGE _____ 13.5 - 17.0 GHz.
 VSWR _____ 1.35:1 MAX
 ATTENUATION _____ 3dB to 0.3dB

UNLESS OTHERWISE SPECIFIED DIMENSIONS ARE IN INCHES, TOLERANCES ARE, ON DIGITALS .XX ± .01 20X ± .005 SURFACE FINISH APPLIES

MATERIAL:

| | | |
|-------------|--------------------|---------|
| DRAWN | M.M. | 12.2.88 |
| CHECKED | | |
| E. E. APPV. | <i>[Signature]</i> | 12/5/88 |
| M. E. APPV. | | |
| Q. A. APPV. | <i>[Signature]</i> | 12/5/88 |

MICROLAB/FXR
LIVINGSTON, N.J.

ATTENUATOR, FIXED

SIZE CODE IDENT. NO. SHEET 1 OF 1
 A 00929 AH-H56
 SCALE NONE