



Tetra/GSM/LTE Quadraplexer, BK-92

For combining cellular with GSM-1800, UMTS & LTE-2600
380-960/1710-1880/1920-2200/2500-2690 MHz

Rev. B

- ◆ 45 dB Input Isolation
- ◆ High Power Design
- ◆ Minimal RF Insertion Loss
- ◆ Rugged, High Reliability
- ◆ Low Passive IM., PIM
- ◆ Low Cost, RoHS compliant Design
- ◆ 7-16 & 4.3-10 connectors



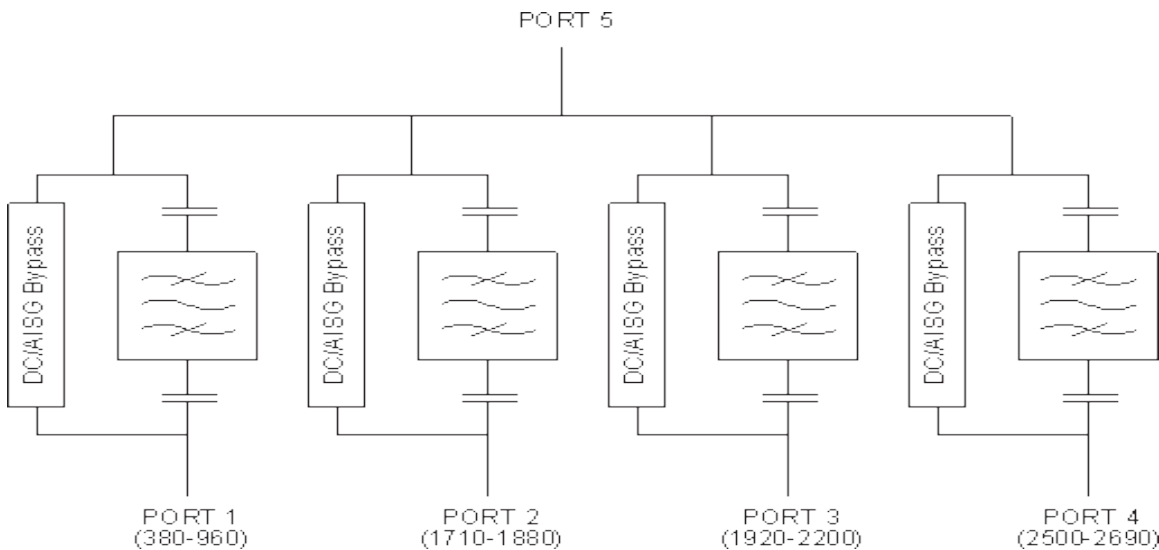
The BK-92 Quadraplexer has been designed using passive, proprietary techniques to ensure minimal loss and very high reliability. It allows efficient combining or division of the standard cellular bands for use in a coaxial distributed in-building cellular network or DAS.

A simple bracket and tapped holes are provided for simple mounting to a surface or cable tray.

Input Return Loss:	>19 dB
DC/AISG Paths:	All By-Pass, 2.5A max.
Impedance:	50Ω nominal
Intermod. (PIM):	-161 dBc (IM ₃ with 2 x +43dBm)
Environment:	-40° - +60°C, IP66
Housing:	Passivated Aluminum
Weight, nom:	8.5 lbs (3.8 kg)

Model/Connector 7/16 (f)	Frequency Band, MHz	Port	Insertion Loss to J5, dB	Max Input Power*	Input Isolation, dB min [†]			
					J1	J2	J3	J4
BK-92D BK-92E	380 - 960	1	<0.2	700W	x	50 (45)	50 (45)	50 (45)
	1710 - 1880	2	<0.3	300W	50 (45)	x	50	50
	1920 - 2200	3	<0.3	300W	50 (45)	50	x	50
	2500 - 2690	4	<0.2	200W	50 (45)	50	50	x

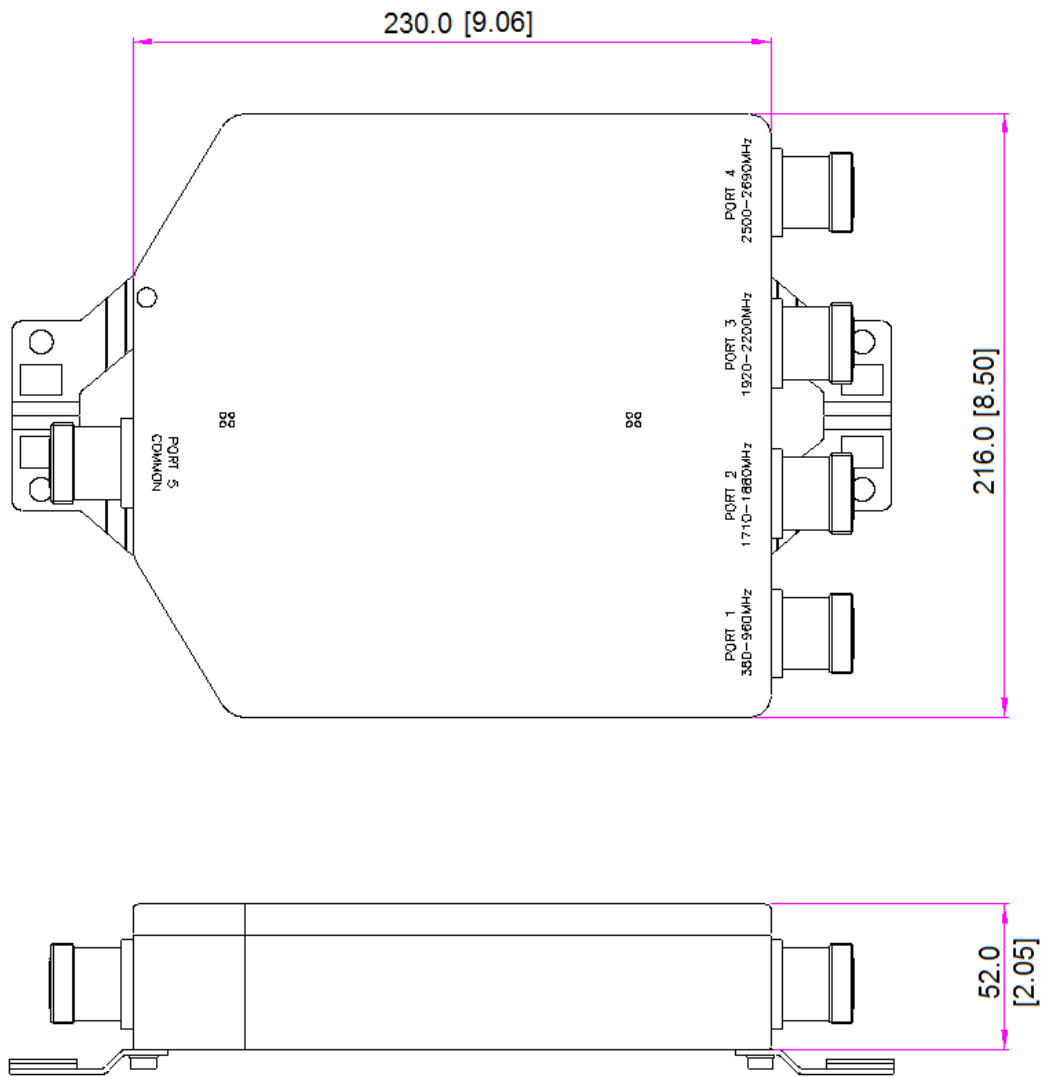
*Lightning Protection 3kA, 10/350 us pulse †>600 MHz (<600MHz)



Note: Specifications are subject to change without prior notification.

22JUN2016

BK-92D Outline



Dimension in mm [in]