

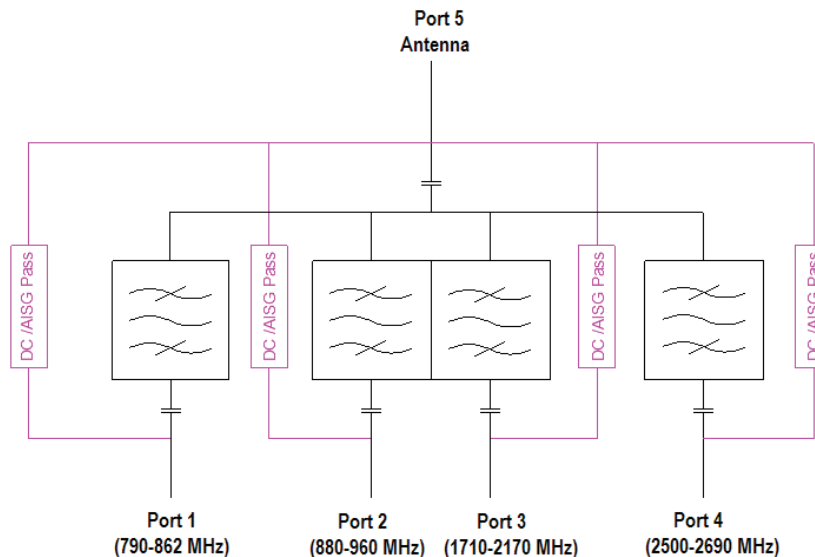
- ◆ 50 dB Input Isolation
- ◆ High Power Design
- ◆ Minimal RF Insertion Loss
- ◆ Rugged, High Reliability
- ◆ Low Passive IM., PIM
- ◆ RoHS compliant Design
- ◆ 7-16 mm connectors standard



The BK-98D Quadraplexer has been designed using passive, proprietary techniques to ensure minimal loss and very high reliability. It allows efficient combining or division of the standard cellular bands for use in a coaxial distributed cellular network or distributed antenna system (DAS.)

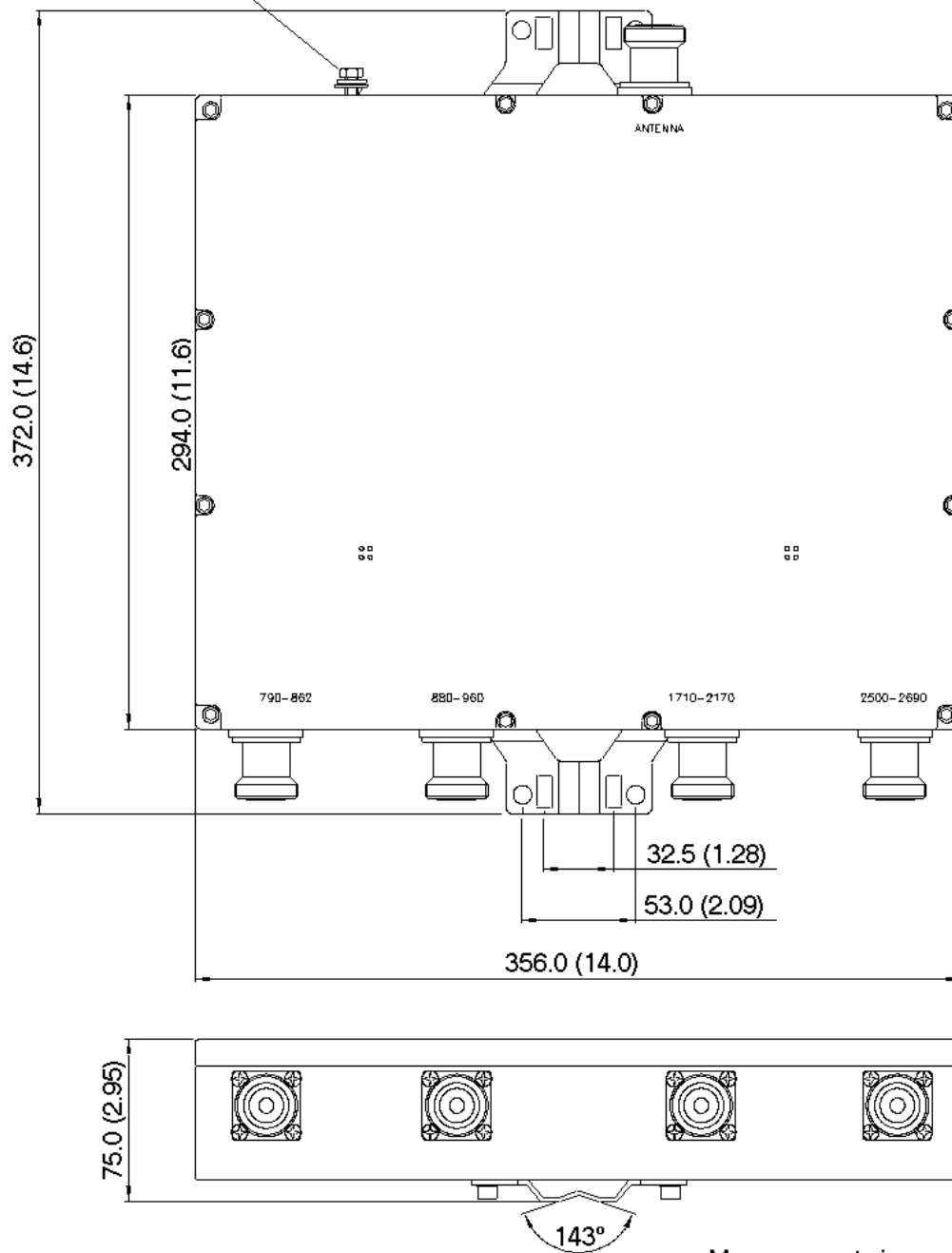
A simple bracket and tapped holes are provided for simple mounting to a flat surface or pole. (04/15)

Frequency	Port 1:	790-862 MHz
	Port 2:	880-960 MHz
	Port 3:	1710-2170 MHz
	Port 4:	2500-2690 MHz
Power/Port:		250 W max.
Insertion Loss:		0.3 dB max.
Isolation:		50 dB min. with Port 5 Termination
Input VSWR:		<1.25:1, all inputs
DC/AISG Paths:		All By-Pass, 2.5A max.
Impedance:		50Ω nominal
Intermod. (PIM):		<-160 dBc (IM ₃ with 2 x +43dBm)
Surge Protection:		3kA using 10/350μs pulse
Environment:		-40° - +65°C, IP68
Housing:		Painted Passivated Aluminum
Weight, nom:		8.5 lbs (3.8 kg)



BK-98D Outline:

M6 x 1.0 Ground Screw



Measurements in mm (in)