

- ◆ Low PIM Hybrid Diplexer, 4 x 2
- ◆ High Isolation, Low VSWR and Loss
- ◆ Dual Band Range for combining 698-960 with 1710-2170 MHz
- ◆ 50W/Input Average Power Rating
- ◆ High Reliability, Moisture sealed
- ◆ RoHS compliant
- ◆ Convenient connector spacing

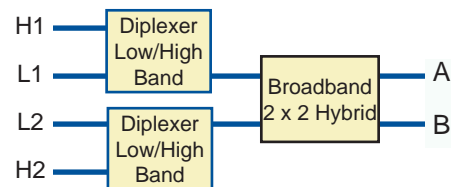
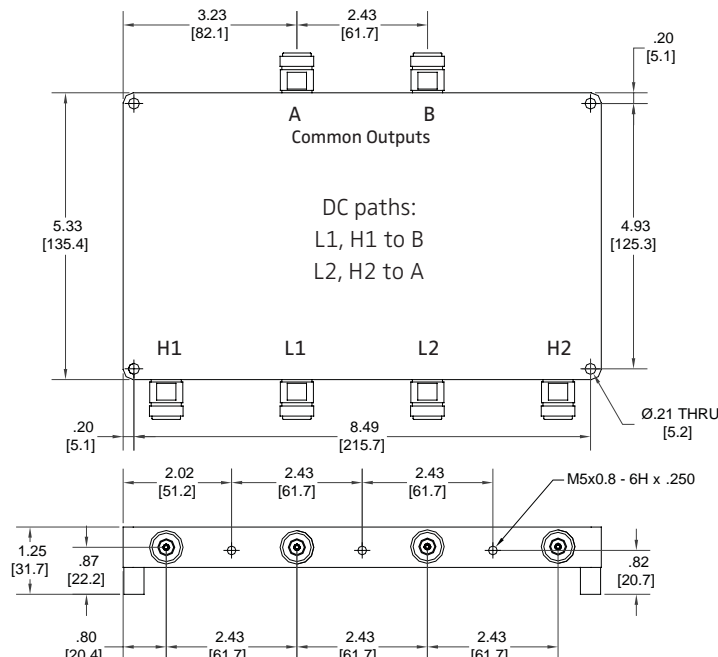


CM-20N 4 x 2 Combiner

Model Nos./Connectors	Inputs	Frequency Range, MHz	Coupling/Loss (Any Path)	Input Isolation In Band	Between	Input VSWR	Weight lbs (kg) nom	
CM-20D 7-16 mm (f)	CM-20N N (f)	Inputs L1, L2 Inputs H1, H2	698 - 960 1710 - 2170	3.2 ± 0.7 dB	>25dB	>50dB	<1.25:1	5.0 (2.3)

This 4 x 2 Hybrid Diplexer covers the 698 - 2170 MHz range of frequencies with high isolation and low passive inter-modulation (PIM) in either N or 7-16 mm connectors. It combines 2 low band and 2 high band inputs to 2 outputs with minimal loss.

These networks provides simple combining of 4 independent signals in the specified wireless bands to common feeder cables, as might be required in a radio base station or in a neutral host in-building distributed antenna system. If one port is unused it must be terminated at the appropriate power and PIM rating. (08/13)



Input Power:	50W per input max.
Impedance:	50Ω nominal
DC Paths:	All paths to 1A
Temperature:	-35° -+65°C
Environment:	IP64 (IP67 to order)
PIM*:	<-153 dBC, (with +43 dBm x2)
Finish:	
Housing:	RoHS coated Aluminum
Connectors:	N(f) or 7-16 Triplate
	*measured with low PIM loads

All dimensions ±0.60 inches unless otherwise noted.