

- ◆ Unique In-Line Design
- ◆ 500 Watt Continuous Average Power
- ◆ Minimal RF Insertion Loss
- ◆ High Reliability, IP67
- ◆ Low Specified PIM
- ◆ RoHS compliant
- ◆ Low Cost Design



Two Way Splitter, D2-95FE



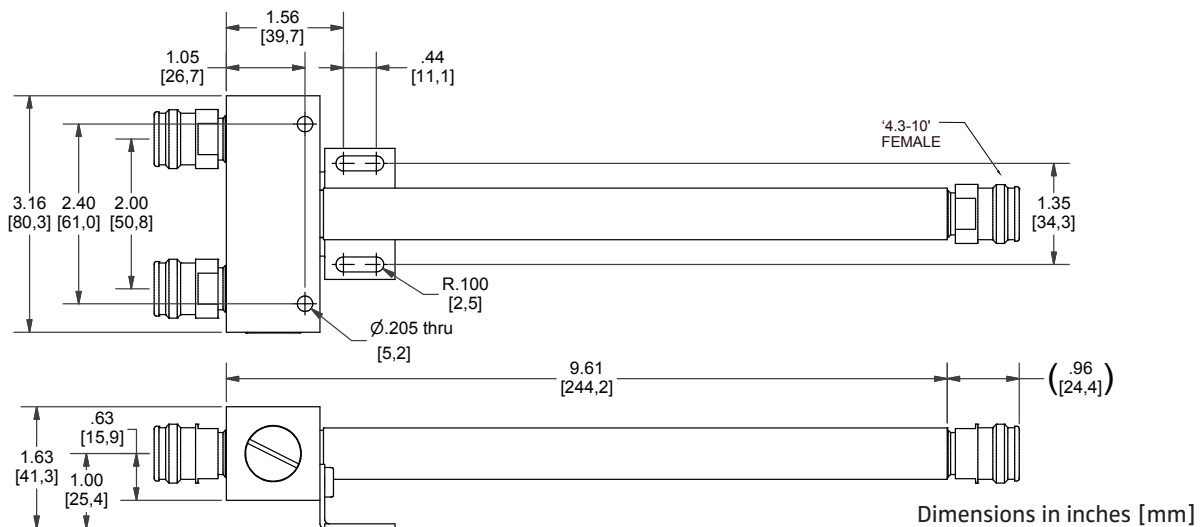
Microlab Model Dx-95FE series of 2 and 3 way Power Splitters have been designed to evenly split high power cellular signals with minimal reflections or loss. All joints are moisture sealed to meet the IP67 rating. This design allows for in-line runs without the need for right angle connectors

The wide frequency range allows use with multiband antennas and leaky cable systems. With few solder joints and an air dielectric, the loss has been minimized and reliability enhanced. See Dx-95FD series for similar splitters with 7-16 connectors.

Impedance:	50Ω nominal
Power Rating:	500W avg, 3kW pk.
PIM, Passive IM:	-161 dBc (2 tones at +43 dBm)
Environment:	IP67, -35°C to +75°C RoHS compliant
Finish: Connectors:	Triplate
Housing:	Passivated aluminum
Mounting:	Bracket & clip supplied

Model No/Conn 4.3-10 (f)	No. of Ways	Frequency Band, MHz	Split Loss	Dissapative Loss	Amplitude Balance, typ.	Input VSWR	Power Rating Avg Peak	Weight, nom. lbs. (kg)
D2-95FE	2	580 - 698	3 dB	<0.1 dB	0.15dB	<1.20:1	500W 3 kW	0.95 (0.43)
		698 - 2700				<1.15:1		
D3-95FE	3	580 - 698	4.8 dB	<0.1 dB	0.25dB	<1.40:1	500W 3 kW	1.55 (0.70)
		698 - 2500				<1.15:1		
		2500 - 2700				<1.20:1		

### Two Way Outline



Note: Specifications are subject to change without prior notification.

12APR2016

**Three Way Outline**
