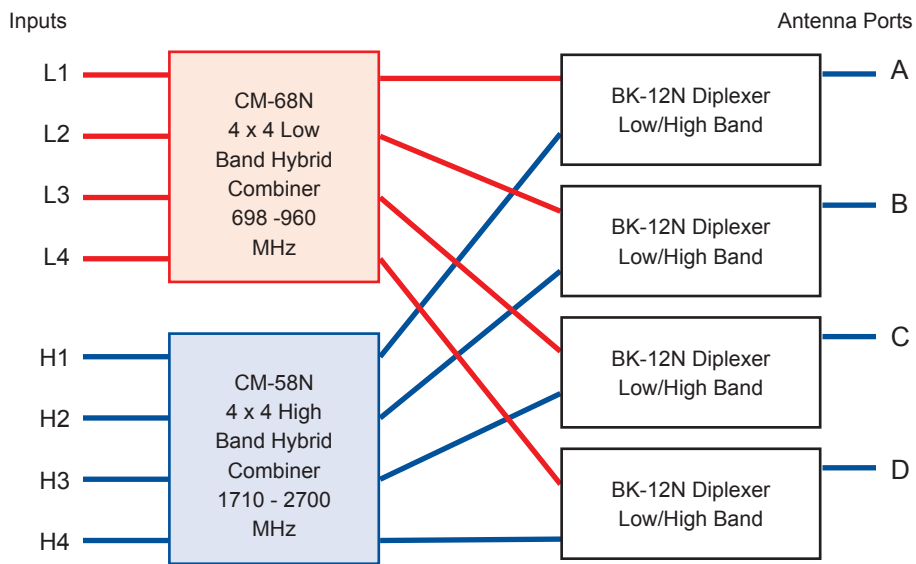


- ◆ Input bands for Cellular & LTE:
700/800/900 & 1800/1900/
UMTS to 2700 MHz
- ◆ 8 Inputs to 4 Combined Outputs
- ◆ High Reliability, RoHS
- ◆ Lossless Concept, Guaranteed PIM
- ◆ Wall Mounted Model



These Broadband RF Combiner Boxes, based on the rackmount KM-90N, have been designed for wall mounting and to meet the neutral host needs of in-building systems, with very low passive intermodulation (PIM).

The system combines up to 8 wireless carriers in the operating bands to 4 multiple antenna feeds or distribution cables. One quarter of each input appears on each of the four outputs, with a dissipated path loss of less than 0.5 dB. This means that the signal strength of each input signal is 6 dB down at each output. Typical isolation between inputs in the same band is 22 - 24 dB, between bands 58 dB. (02/11)

Inputs L1 to L4:	698 - 960 MHz, Low Band
Inputs H1 to H4:	1710 - 2700 MHz, High Band
Input Isolation, dB:	Within Low Band: 24 typ., 22 dB min. Within High Band: 22 typ., 20 dB min.
Between Bands:	>55 dB
Input Return Loss:	>19 dB (>21 dB typical)
Coupling (In-Out):	6.5 ± 0.8 dB (all paths)
Power per input:	<60W avg., 3 kW peak
Total power in:	<200W average
Impedance:	50W nominal
Environment:	-15°C to +65°C, Indoor
PIM (Intermod):	<-142 dBc (+43dBm x2)
Finish: Housing:	RoHS coated aluminum
Connectors:	Triplate, N
Weight:	22 lbs (10 kg) nominal

