

- ◆ Very Low PIM
- ◆ 100W average power
- ◆ Low VSWR
- ◆ Convenient Size
- ◆ Intimate cable contact
- ◆ RoHS compliant
- ◆ Multiple Connector Options
- ◆ SMA, N, 7-16, 4.1-9.5 & 4.3-10



100W TK-27FD

Microlab TK-27 series of 100W Cable Loads are intended for wireless applications, when extremely low PIM, Passive Intermodulation, is required. A typical application is in terminating the unused port of a Hybrid Coupler used to combine different wireless signals. This is also offered as a discrete product in the CT series of low PIM hybrid combiners.

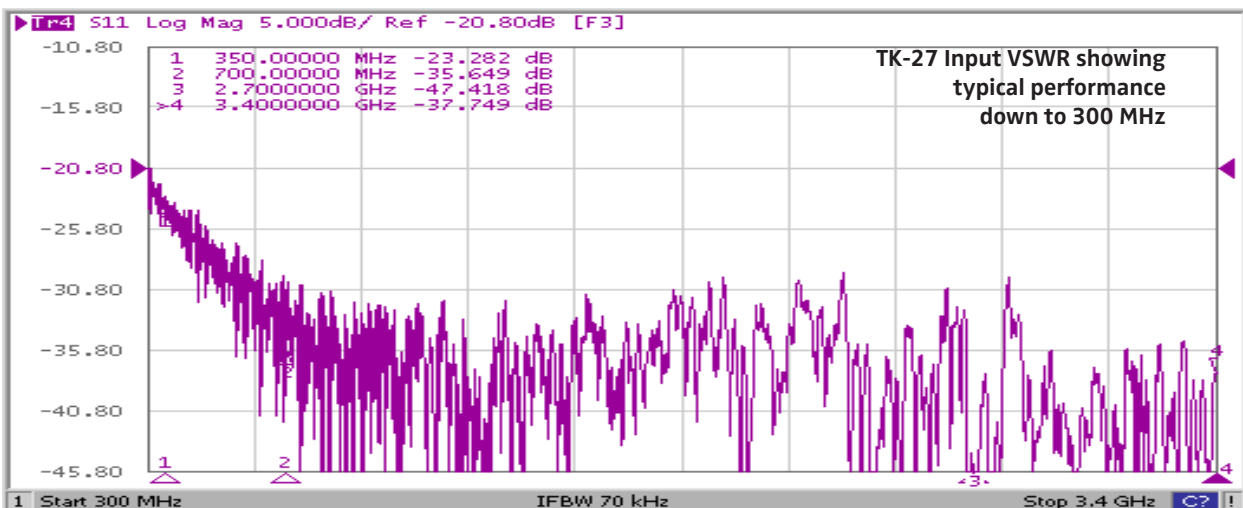
For IEC 60950 compliance (surface temperature no greater than 90°C) at full power at 55°C ambient, air flow over the fins is required.

Frequency: 400 - 2700 MHz
 Power Rating: 100W avg., 5 kW peak
 PIM: -161 dBC, tested with 2x 1900 MHz 20W tones at 25°C
 Environment: -35 to +55°C ambient
 Surface Temp: +110°C max.*
 Impedance: 50Ω nom.
 Connector Finish: Triplate
 Weight, nom: 5.55 lb., 2.50 Kg
 Enclosure: Black epoxy paint, mounting bracket supplied

* Measured on heat sink fin, at full power into a unit that is mounted in a 2 RU and 19" box, all enclosed and without cooling, at 25°C external ambient temperature.

Power*	Model Number and Connector								VSWR		
	†SMA Female	N Female	N Male	7/16 Female Male		§4.1-9.5 Female Male		4.3-10 Female Male		698 - 2700 MHz typ.	max.
100W avg.	TK-27FF	TK-27FN	TK-27MN	-	-	-	-	TK-27FE	TK-27ME	1.10:1‡	1.15:1
	-	-	-	TK-27FD	TK-27MD	TK-27FC	TK-27MC	-	-	1.10:1‡	1.20:1

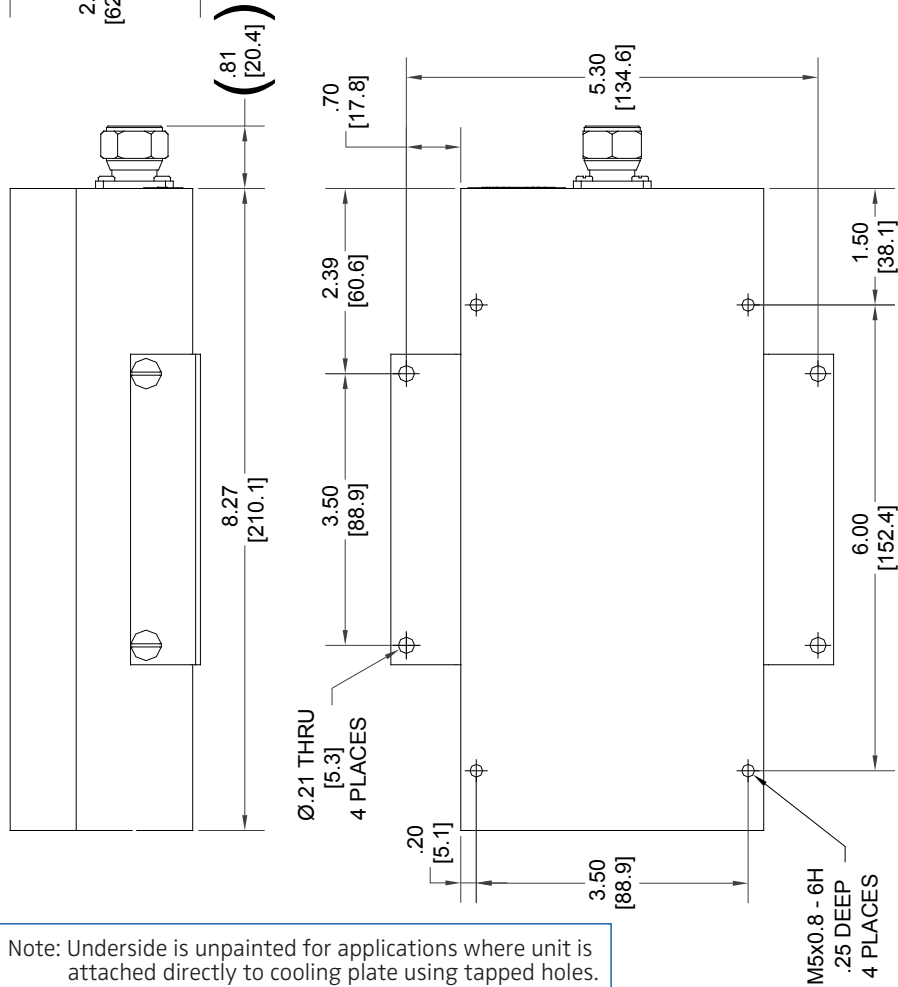
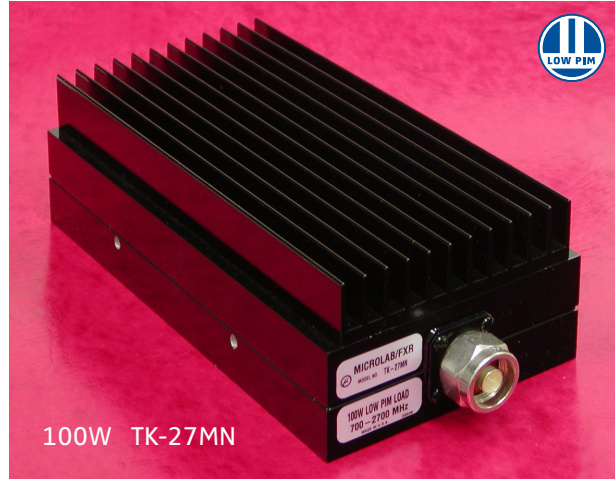
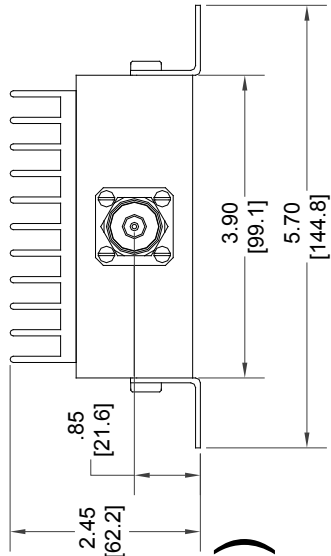
*Derate Avg Power by -1.2%/°C above 55°C ambient †SMA ver. made to order ‡see below for 400-698 MHz §Mini-DIN Connector



Note: Specifications are subject to change without prior notification.

16NOV2015

TK-27MN (100W)



Note: Underside is unpainted for applications where unit is attached directly to cooling plate using tapped holes.