



- ◆ Omni Antenna for all common wireless carrier bands from 698-960MHz and 1710-6000MHz
- ◆ Low Passive IM., PIM
- ◆ Small Size and Light Weight
- ◆ Ceiling Mount
- ◆ High Gain and Stable Performance
- ◆ Up to 50 Watts Average Power
- ◆ SAR tested to EN50385:2002
- ◆ Simple, Cost Effective Design
- ◆ For Indoor Applications

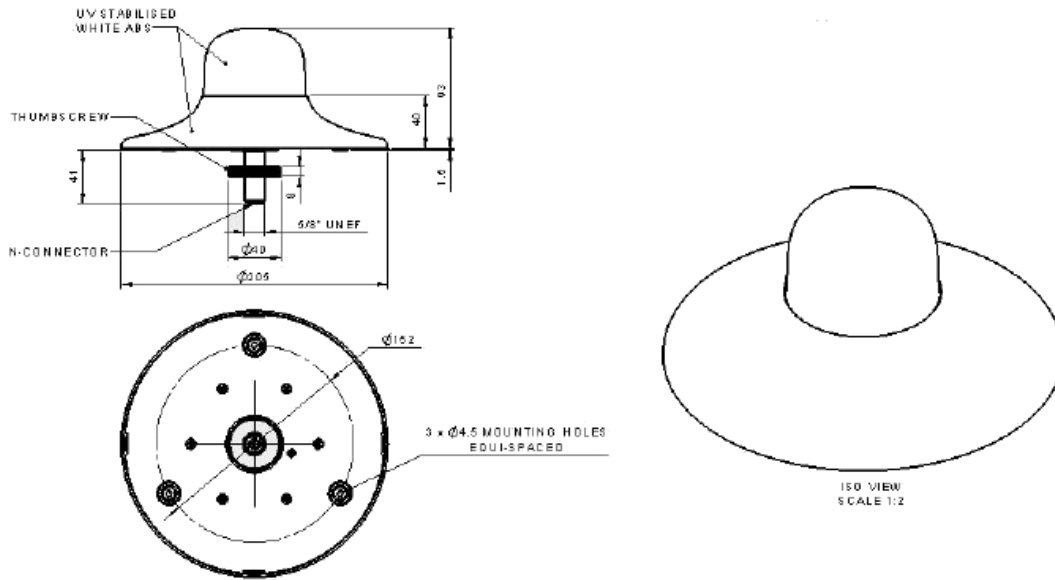


The YA-18NF is an attractive low cost omnidirectional antenna. These antennas are popular for propagating in-building wireless signals in distributed antenna systems, (DAS). This wideband antenna covers all common wireless and WiFi bands in the range of 698 to 6000 MHz such as 700, 800, 850, 900, 1700, 1900, 2100, 2400, 2600, 3500, 4900, 5000 and 5750 MHz.

The antenna only requires one mounting hole for installation but offers additional screw fixing holes located beneath a rotating valance. The antenna is ground plane independent and can be fitted onto both thick and thin ceiling tiles. (6/15)

Frequency Bands:	
Band 1:	698-960 MHz
Band 2:	1500-6000 MHz
Nominal Peak Gain:	2 dBi @698-960 MHz 4 dBi @1710-2170 MHz 7 dBi @2200-6000 MHz
VSWR:	<2.5:1 typ. except <1.8:1 typ. @746-894/1710-2700/ 3400-3800/4900-6000 MHz
Radiation Pattern:	Omni-directional
Input Power:	50W max
Impedance:	50Ωnominal
Intermod. (PIM):	<-153 dBc max (test with 2 x +43 dBm tones)
Environment:	-30° to +70°C, operational
Radome Material:	White, U.V Stabilised flame retardant ABS
Back Plate:	Aluminum
Antenna Dimensions:	
Diameter:	8 in (205 mm)
Height:	3.6 in (93 mm)
Mounting Dimensions:	
Diameter:	0.2 in (4.5 mm)/0.625 in (16 mm)
Depth:	1.6 in (41 mm)
Connectors:	N-type female
Mounting:	3 x 4.5mm screw fixing holes and/or N-type socket lock wheel

YA-18NF Outline



All dimensions in mm unless otherwise stated

3D Gain Plots

