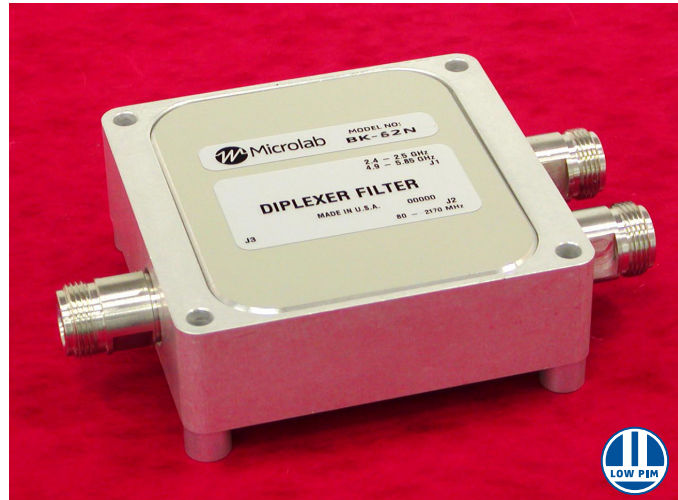


- ◆ Combines 2.4 & 5 GHz WiFi to 80 - 2170 MHz services
- ◆ Meets European Rail Standards EN50121, EN61373: 1999 EN50155: 2007 (Class Tx) EN60068-2-1: 1995 EN60068-2-2: 1994 EN60068-2-30: 2000
- ◆ High Input Isolation
- ◆ 50W Through Power
- ◆ Minimal RF Insertion Loss
- ◆ Rugged, High Reliability Design
- ◆ Low Passive IM., PIM
- ◆ Low Cost Design
- ◆ N & 4.3-10 connectors



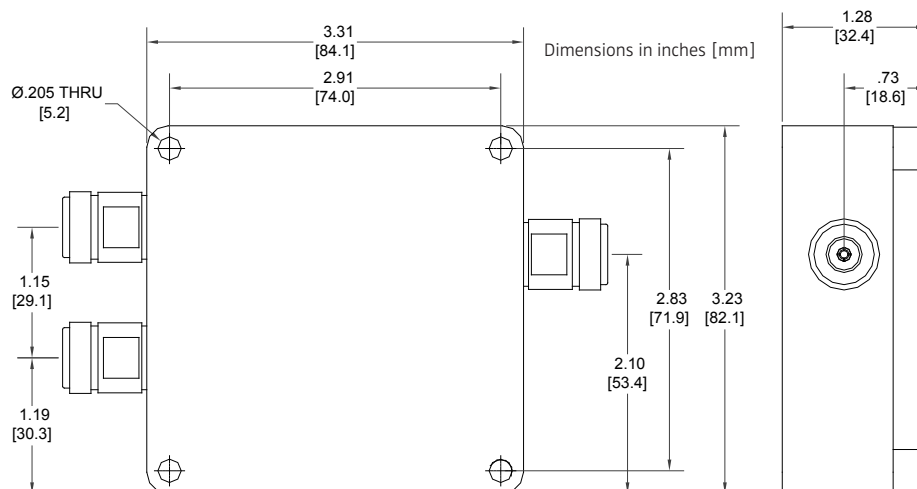
Model Number	Connectors Female	Weight, nom oz (g)
BK-62N	N Type	13 (365)
BK-62E	4.3-10	13 (365)

Input Port	Passbands GHz	VSWR All Ports	Isolation J1-J2, dB	Loss to J3, dB typ. max.	Power avg max.	DC Path
J1	2.4 - 2.5 4.9 - 5.85	<1.6:1 <1.4:1	>35 >42	0.5 0.25	1.0 0.5	10W None
J2	0.080 - 2.17	<1.30:1	>50	0.2	0.7	50W <2.5A

The BK-62 allows efficient combining of WiFi services at the standard WiFi standards of 802.11 (a), (b), (g) and (n) at 2.4 GHz and 5.8 GHz together with WiMAX at 4.9 GHz with a coaxial distributed in-building cellular network or DAS. This can provide the benefit of the same controlled coverage of the higher frequency services with the DAS.

A simple bracket and tapped holes are provided for simple mounting to a surface or cable tray. The unit is available for outdoor applications and with SMA connectors to special order.

Impedance: 50Ω nominal
PIM: -161 dBc into J2 (test with 2 x +43 dBm tones)
Environment: -40° - +85°C, IP64 Indoor
To order: Painted for Outdoor/IP67
Connectors: N (f) or 4.3-10 (f), triplate
Housing: Passivated aluminum, RoHS
Weight: 13 oz (365g) nom.



Note: Specifications are subject to change without prior notification.

26JAN2016