

- ◆ 45 dB Input Isolation
- ◆ High Power Design
- ◆ Minimal RF Insertion Loss
- ◆ Rugged, High Reliability
- ◆ Low Passive IM., PIM
- ◆ Low Cost, RoHS compliant Design
- ◆ 7-16 & 4.3-10 connectors



The BK-92 Quadraplexer has been designed using passive, proprietary techniques to ensure minimal loss and very high reliability. It allows efficient combining or division of the standard cellular bands for use in a coaxial distributed in-building cellular network or DAS.

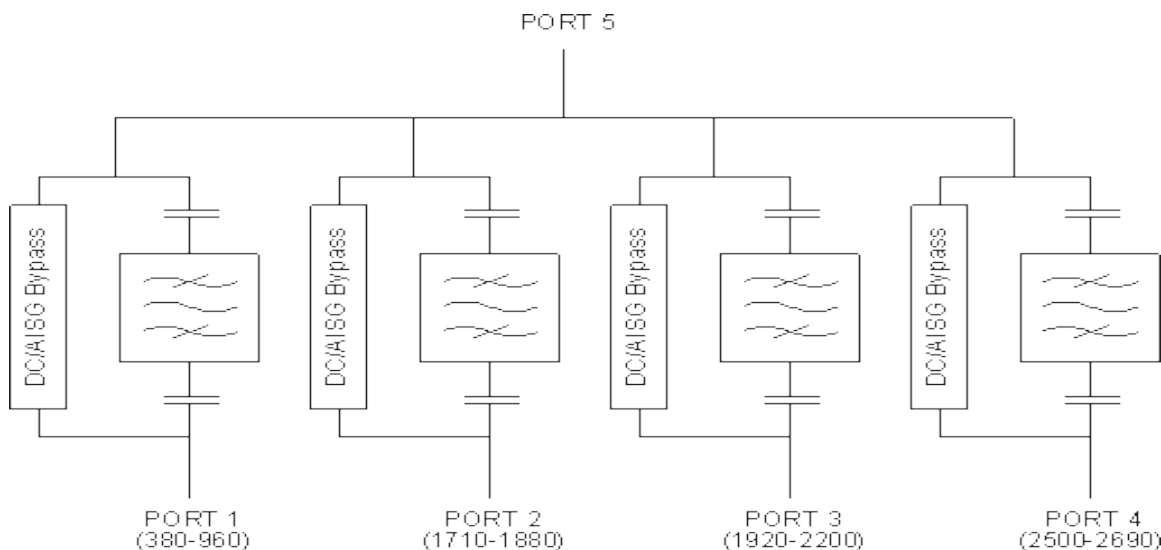
A simple bracket and tapped holes are provided for simple mounting to a surface or cable tray.

| | |
|------------------|--|
| Input VSWR: | <1.25:1, all inputs |
| DC/AISG Paths: | All By-Pass, 2.5A max. |
| Impedance: | 50Ω nominal |
| Intermod. (PIM): | -161 dBc (IM ₃ with 2 x +43dBm) |
| Environment: | -40° - +60°C, IP66 |
| Housing: | Passivated Aluminum |
| Weight, nom: | 8.5 lbs (3.8 kg) |

| Model/Connector | Frequency Band, MHz | Port | Insertion Loss to J5, dB | Max Input Power* | Input Isolation, dB min [†] | | | |
|-----------------|---------------------|------|--------------------------|------------------|--------------------------------------|---------|---------|---------|
| | | | | | J1 | J2 | J3 | J4 |
| BK-92D BK-92E | 380 - 960 | 1 | <0.2 | 700W | x | 50 (45) | 50 (45) | 50 (45) |
| | 1710 - 1880 | 2 | <0.3 | 300W | 50 (45) | x | 50 | 50 |
| | 1920 - 2200 | 3 | <0.3 | 300W | 50 (45) | 50 | x | 50 |
| | 2500 - 2690 | 4 | <0.2 | 200W | 50 (45) | 50 | 50 | x |

*Lightning Protection 3kA, 10/350 us pulse

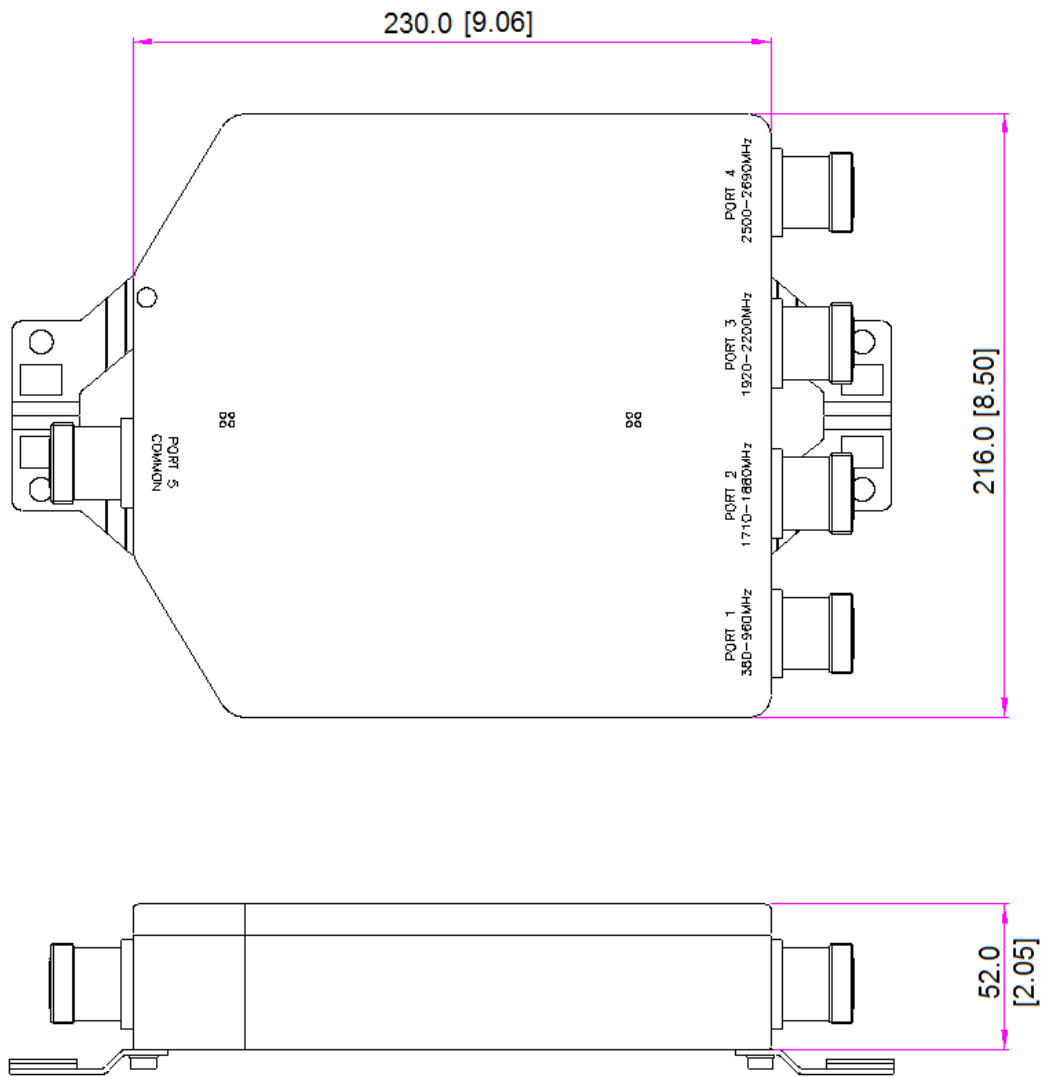
†>600 MHz (<600MHz)



Note: Specifications are subject to change without prior notification.

17NOV2015

BK-92D Outline



Dimension in mm [in]